

Welcome! to our world



VERSATILITY & VALUE



RM SCALPERS, SIZERS & STACKERS



“ Processing mineral materials is more than business to us, it is a way of life. ”

GERALD HANISCH,
RUBBLE MASTER
FOUNDER & CEO

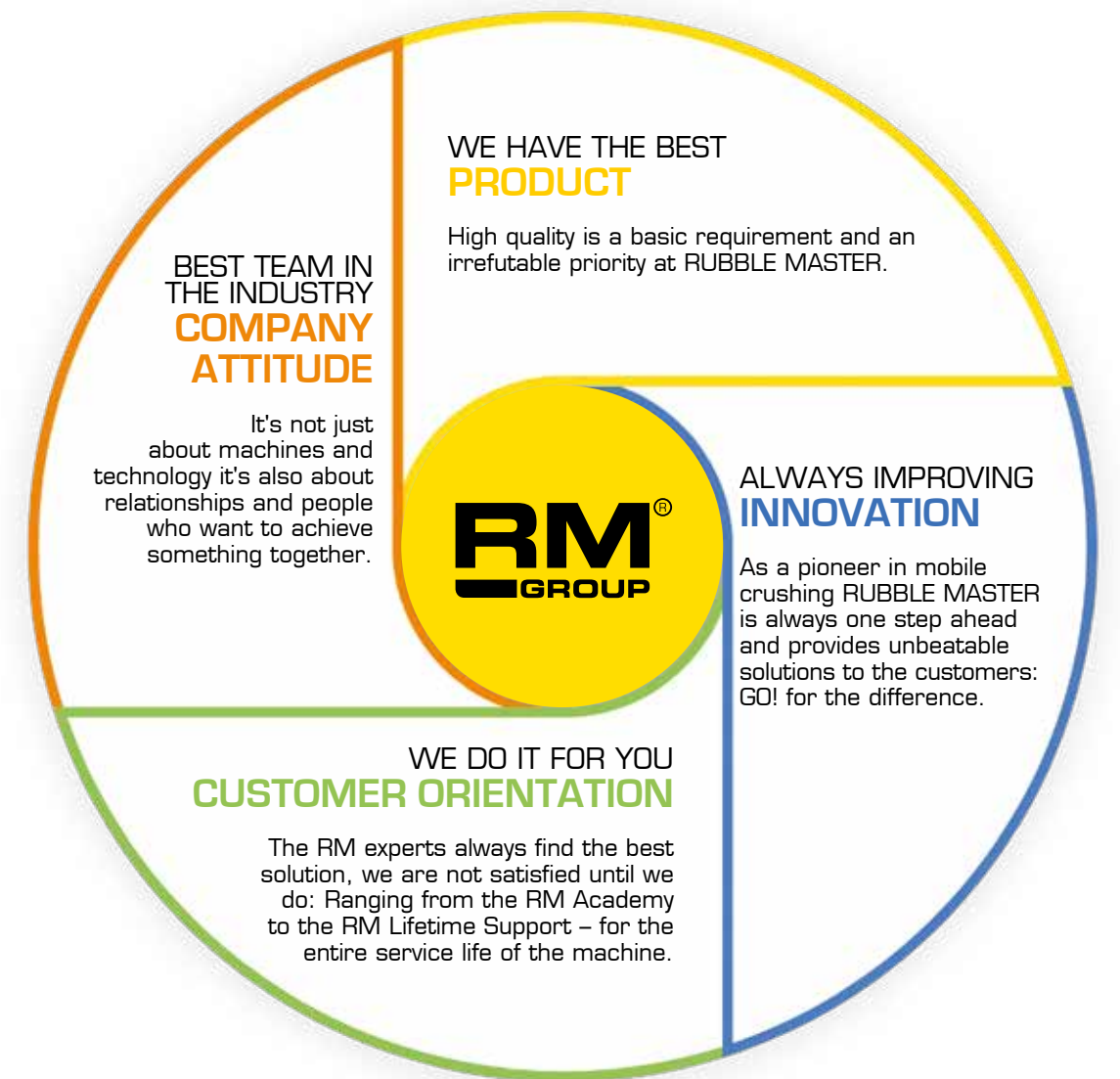
We are committed to the innovative spirit to be able to offer you products and services at all times which improve your daily business in a lasting way. This passion is your guarantee for machines which fulfil your requirements in every respect. Implemented by a team of experts who are at your side as strong, reliable and always professional partners.

RUBBLE MASTER

WELCOME! TO OUR WORLD

RUBBLE MASTER offers a range of top quality & high performance mobile crushing and screening solutions for recycling, demolition, quarrying, mining and contracting applications. RM's all mobile equipment meet the highest specifications for mobility & versatility both on-site & on-road.

Manoeuvrability, transportability, easy and safe to operate – these are our main concerns!



HIGHLIGHTS: RM HS SERIES

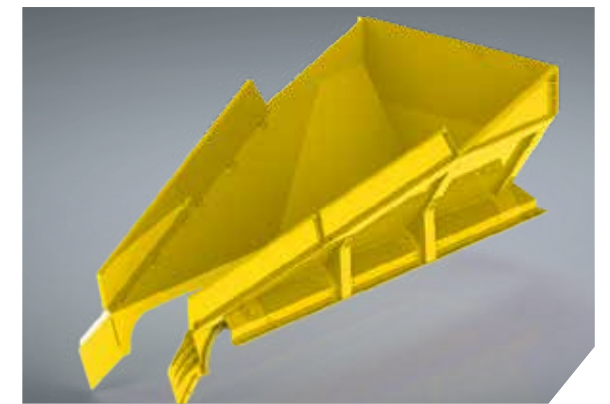
SCALPERS – COARSE MATERIAL SCREENING EQUIPMENT MORE OPPORTUNITIES

The screens in the SCALPER series are durable, robust, high performance machines designed to handle the heaviest applications in the harshest conditions. Whether it's heavy rock or bulky construction and demolition material, thanks to their versatility and high throughput the SCALPER series screens minimise material handling and deliver high quality end products.



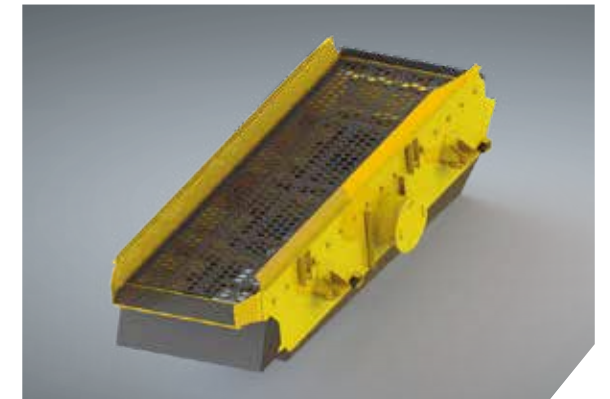
Wide access engine compartment doors

Provide perfect access for service and maintenance of engine and hydraulics.



Feed hopper

Large feed hopper with a heavy duty multi-ply belt as standard. The speed of the belt feeder is adjustable to ensure smooth material flow onto the screenbox.



Screen decks

Multitude of combinations and configurations for top and bottom decks including e.g. punch plate, bofor screen, finger deck, square and elongated meshes – one scalper for different applications.



Hardox apron

Optional – robust construction allowing for use in difficult and heavy duty materials.



Wide chutes and discharge belts

Ensure optimum material flow and longer belt life with adjustable belt speeds.



High power screenbox

Features adjustable screenbox angle (except RM HS3500M) with an amplitude of up to 10 mm achieves highly accurate material split with exceptional throughput performance even when screening the most difficult materials.



Medium and fine material belts

Adjustable speed, as well as over the top folding for optimized transport dimensions.

DATA

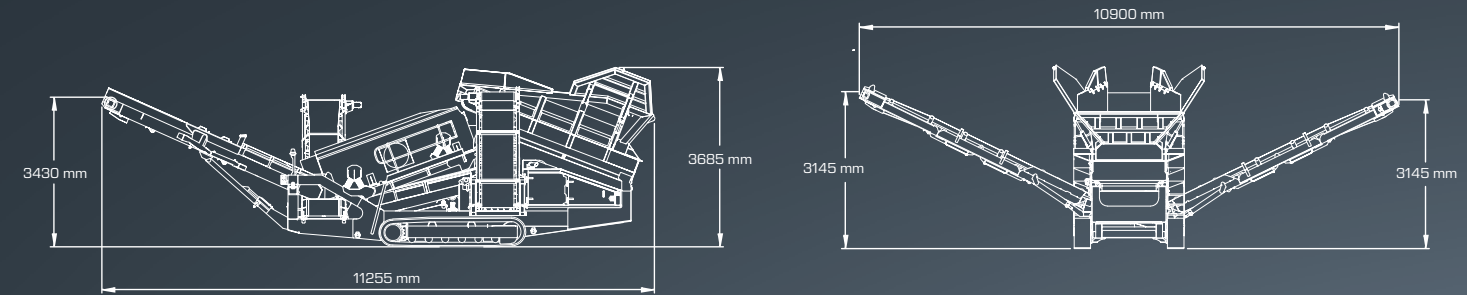
SCALPER SERIES - COARSE MATERIAL SCREENING EQUIPMENT

	RM HS3500M	RM HS5000M	RM HS7500M	RM HS11000M
Screenbox, screen surface	2,743 x 1,220 mm	3,660 x 1,420 mm	4,880 x 1,525 mm	6,100 x 1,830 mm
Screenbox angle	14°	15° - 20°	15° - 20°	13° - 17°
Feed hopper, volume	5 m ³	6 m ³	8.7 m ³	8.7 m ³
Feed hopper, belt width	1,050 mm	1,300 mm	1,400 mm	1,400 mm
Oversize material discharge belt, belt width	1,050 mm	1,200 mm	1,600 mm	1,600 mm
Oversize material discharge belt, discharge height	3,430 mm	2,580 - 3,735 mm	2,980 - 3,750 mm	2,700 - 3,900 mm
Midsized discharge belt, belt width	650 mm	800 mm	900 mm	1,000 mm
Midsized discharge belt, discharge height	3,145 mm	3,670 mm	3,780 mm	3,100 mm
Fines discharge belt, belt width	650 mm	800 mm	900 mm	1,050 mm
Fines discharge belt, discharge height	3,145 mm	3,870 mm	4,080 mm	3,700 mm
Transport dimensions (LxWxH)	9,880 x 2,550 x 3,190 mm	13,440 x 2,730 x 3,200 mm	15,005 x 2,920 x 3,430 mm	16,345 x 3,000 x 3,550 mm
Weight, basic machine	16,500 kg	24,500 kg	33,000 kg	39,000 kg

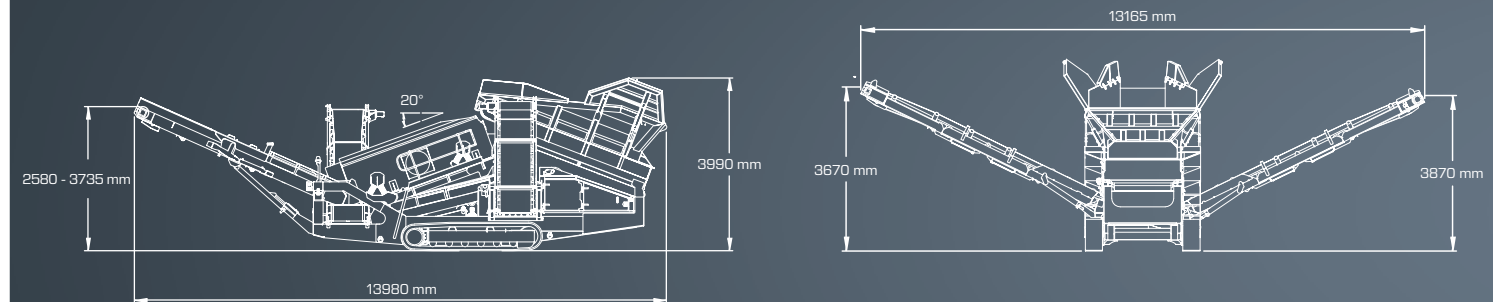


WORKING DIMENSIONS

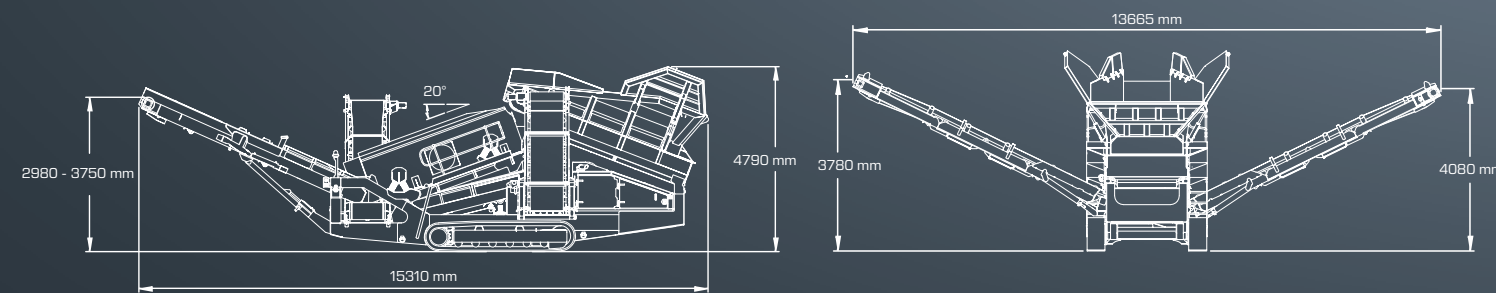
RM HS3500M



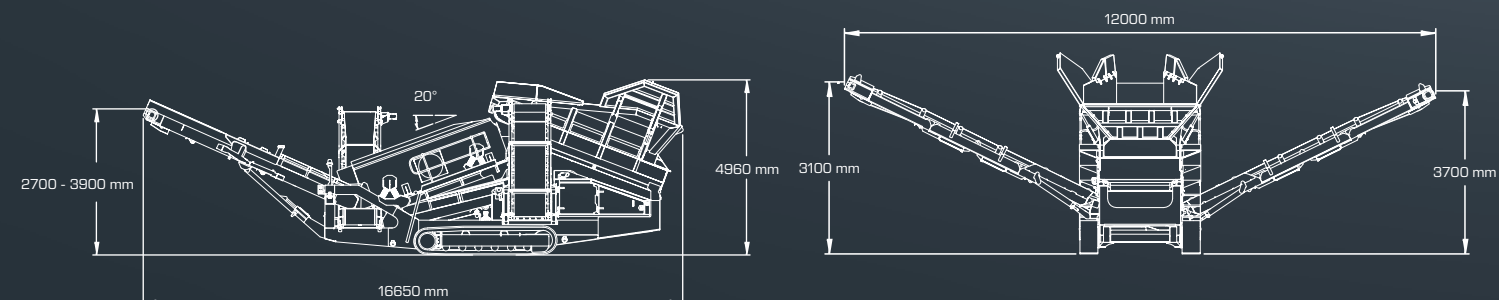
RM HS5000M



RM HS7500M



RM HS11000M



Dimensions in m. Specifications subject to change in line with technical developments. Machines comply with Guideline 2006/42/EC of the European Parliament.

HIGHLIGHTS: RM MSC SERIES

SIZING SCREENS – VIBRATING POST SCREENING EQUIPMENT MORE FRACTIONS

RUBBLE MASTER sizing screens have been developed for operators who require high volumes of high grade aggregate material. The unique high power screenbox design is the optimum in screenbox dynamics. With the addition of the 4th product conveyor it can produce up to 5 different grades of materials.



9.2 m³ hopper, wide loading area
Enables the use of wider loading buckets.



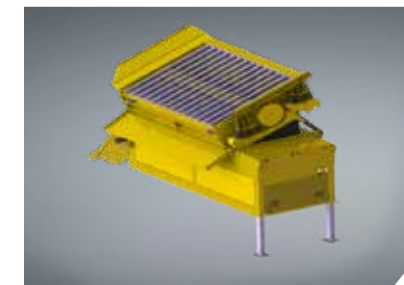
High power screenbox
Features adjustable inclination and achieves exceptional results with an amplitude of up to 10 mm and the highest capacity even with difficult materials.



Adjustable screenbox inclination and feed conveyor height
Makes access easier when changing screens and optimises capacities through numerous settings.



Wedge clamping system
Rapid and user-friendly screen change.



Heavy-duty vibrating tipping grid
Double deck vibrating grid for active screening of feed material before the feed hopper, as an option.



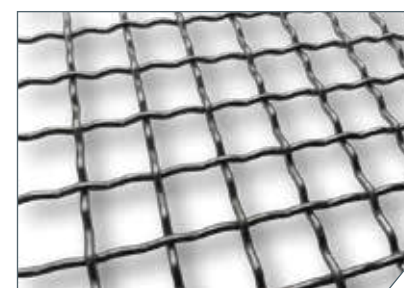
Wide access engine compartment doors
Provide perfect access for service and maintenance of engine and hydraulics.



Fourth conveyor for 3D machines
Wider belt width for efficient material flow.



Wide chutes and discharge belts
Ensures optimum material flow and longer belt life with adjustable belt speeds.



Screen decks
Multitude of combinations and configurations for top and bottom deck including e.g. square and elongated meshes and harp screens.



Rinser option
Wet screening for increased product quality.



Optional hopper door
Controlled adjustable material flow from hopper to main conveyor.

DATA

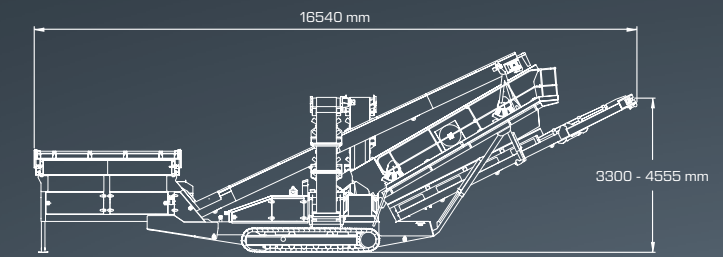
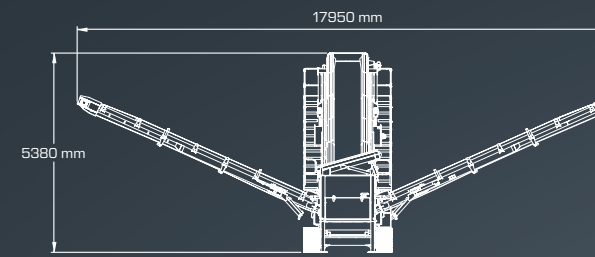
SIZING SERIES

VIBRATING SCREENING EQUIPMENT

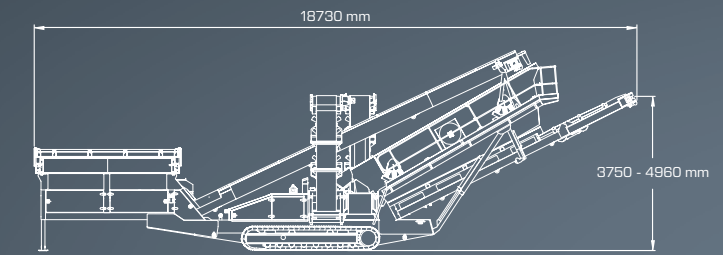
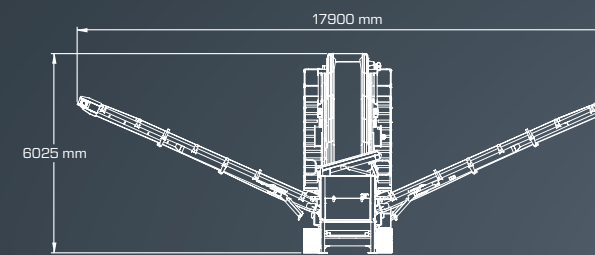
	RM MSC5700M-2D	RM MSC8500M-2D	RM MSC8500M-3D
Screenbox, screen surface	3,660 x 1,525 mm	5,485 x 1,525 mm	5,485 x 1,525 mm
Screenbox angle	25° - 35°	20° - 30°	20° - 30°
Feed hopper, volume	9.2 m ³	9.2 m ³	9.2 m ³
Feed hopper, belt width	1,050 mm	1,050 mm	1,050 mm
Main conveyor, belt width	1,050 mm	1,050 mm	1,050 mm
Fines discharge belt, belt width	1,200 mm	1,200 mm	1,200 mm
Fines discharge belt, discharge height	3,300 - 4,555 mm	3,750 - 4,960 mm	3,880 - 5,025 mm
Side discharge belt, belt width	650 mm	800 mm	800 mm
Side discharge belt, discharge height	5,050 mm	5,100 mm	4,700 mm 4,615 mm
Transport dimensions (LxWxH)	15,850 x 3,000 x 3,330 mm	17,650 x 3,000 x 3,400 mm	17,610 x 3,000 x 3,550 mm
Weight, basic machine	26,800 kg	32,000 kg	34,500 kg
Rinser option including spray bars and catchbox	-	optional	optional

	RM MSC10500M-2D	RM MSC10500M-3D
Screenbox, screen surface	6,700 x 1,525 mm	6,700 x 1,525 mm
Screenbox angle	20° - 30°	20° - 30°
Feed hopper, volume	9.2 m ³	9.2 m ³
Feed hopper, belt width	1,050 mm	1,050 mm
Main conveyor belt width	1,050 mm	1,050 mm
Fines discharge belt, belt width	1,200 mm	1,200 mm
Fines discharge belt, discharge height	4,300 - 5,675 mm	4,700 - 5,725 mm
Side discharge belt, belt width	800 mm	800 mm
Side discharge belt, discharge height	5,100 mm	5,100 mm
Transport dimensions (LxWxH)	18,850 x 3,000 x 3,400 mm	18,860 x 3,000 x 3,500 mm
Weight, basic machine	33,000 kg	35,500 kg
Rinser option including spray bars and catchbox	optional	optional

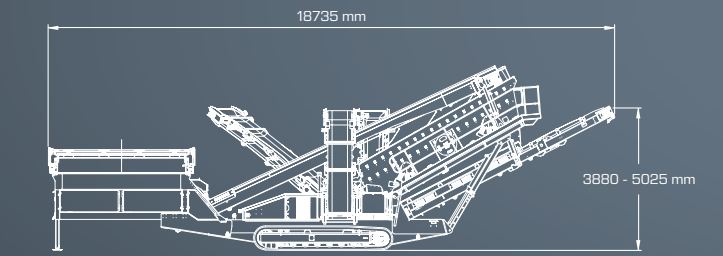
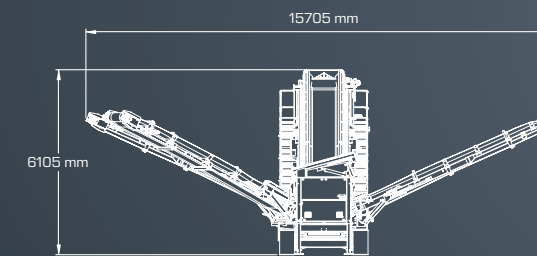
RM MSC5700M-2D



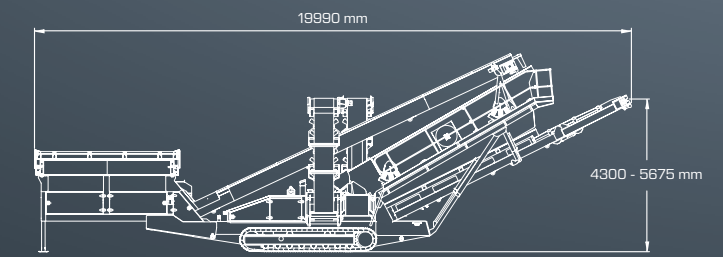
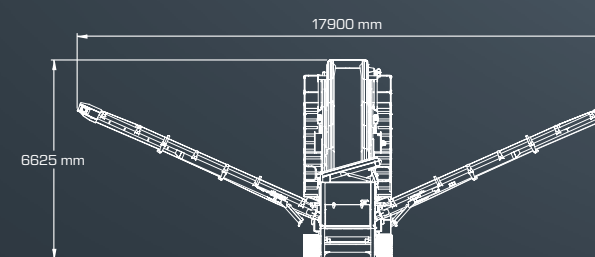
RM MSC8500M-2D



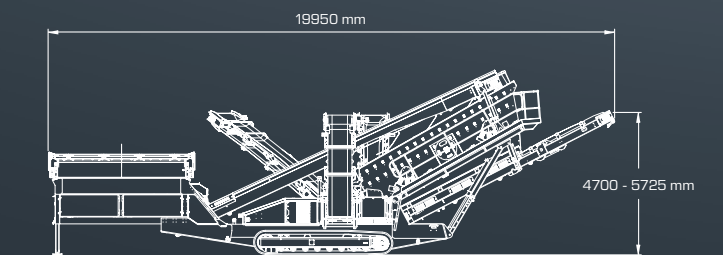
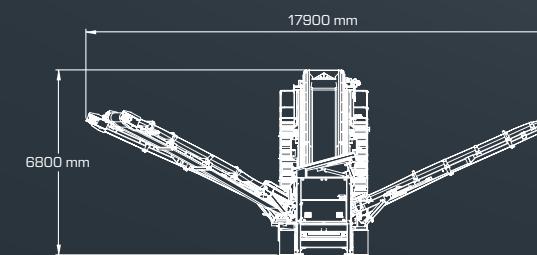
RM MSC8500-3D



RM MSC10500-2D



RM MSC10500-3D



Dimensions in mm. Specifications subject to change in line with technical developments. The machine complies with Guideline 2006/42/EC of the European Parliament.

HIGHLIGHTS: RM CS SERIES

CONTAINER SCREEN – SKID-MOUNTED SCREENING EQUIPMENT MORE SIMPLICITY

A post screen for every crusher. Each size of screen in the CS series is designed to be perfectly compatible with our mobile crushers. All the screens are powerful and process grain from recycling and natural rock as well as round grain to standardised grain sizes.

Depending on the type of screen and crusher, between one and three fractions can be produced in a single pass. Like all RM products, the post screens in the CS series stand out thanks to their low maintenance requirement and useful features, such as self-cleaning screen decks.



Advanced technology

Excellent screening accuracy even at maximum throughput; highly efficient thanks to self-cleaning screen deck options.



Large screen media range

RM offers a wide selection of different screen decks to optimise the screening process and achieve the right grade aggregate.



Compact design

Compact, lightweight and mobile: the CS series are quickly transported to any job site using a hook-lift truck.



Small footprint

Enables truly compact set-up areas.



Portable quarry

True versatility to produce high quality aggregates.



Fast set up times

CS series are quickly transported and ready for action within minutes.



Crusher Plug-In

Enormous energy savings due to screener being powered by crusher.



Suits your needs

Versatile and very efficient for sorting recycling, building materials and natural rock.

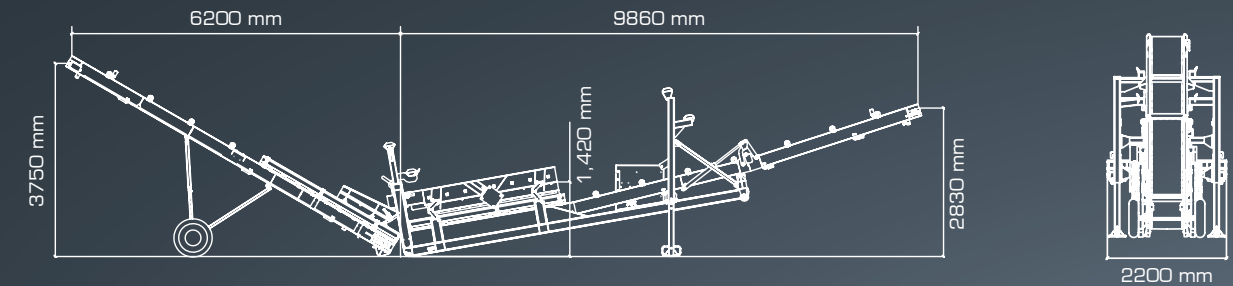
DATA

RM CS SERIES MOUNTED SCREENING EQUIPMENT

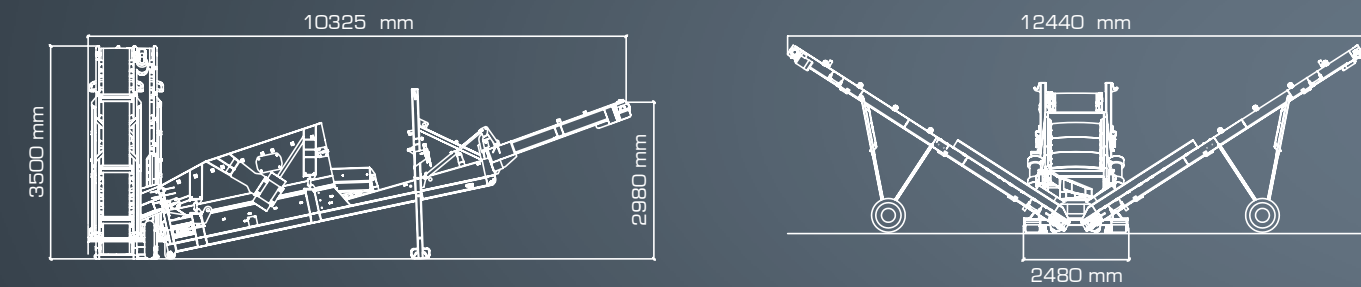
	RM CS2500 1D/2D	RM CS3600 2D	RM CS4800 2D
Screen mesh size	2,500 x 1,000 mm	3,000 x 1,200 mm	3,500 x 1,300 mm
Deck data	1 deck (2 deck)	2 deck	2 deck
Screenbox, angle	8° - 15°	8° - 15°	7.5° - 13.5°
Output	up to 80 t/h (100 t/h), depending on screen angle, mesh size and feed material	up to 150 t/h, depending on screen angle, mesh size and feed material	up to 250 t/h, depending on screen angle, mesh size and feed material
Drive	Crusher plug in or external	Crusher plug in or external	Crusher plug in or external
Feed material size	Edge length max. 70 mm	Edge length max. 70 mm	Edge length max. 70 mm
Screening range	0/4 to 0/40 mm	0/4 to 0/40 mm	0/4 to 0/40 mm
Fines discharge belt, conveyor length	9,600 mm	8,760 mm	9,155 mm
Fines discharge belt, discharge height	2,600 - 3,700 mm	2,400 - 3,440 mm	2,340 - 3,265 mm
Midsized discharge belt, conveyor length	6,700 mm	6,835 mm	7,500 mm
Midsized discharge belt, discharge height	2,300 - 3,300 mm	2,510 - 3,850 mm	2,680 - 3,970 mm
Oversize discharge belt, conveyor length	6,700 mm	6,835 mm	7,500 mm
Oversize discharge belt, discharge height	2,300 - 3,300 mm	2,510 - 3,850 mm	2,680 - 3,970 mm
Transport dimensions (LxWxH)	7,530 x 2,200 x 2,840 mm	7,640 x 2,480 x 2,270 mm	8,220 x 2,400 x 2,610 mm
Transport weight	4 t (4,7 t)	6.3 t	7 t
Transport system	by hook-lift	by hook-lift	by hook-lift
Options	second screen deck with additional conveyor belt for oversized material (throughput up to 100 t/h, total weight 4.7 t)	-	-

WORKING DIMENSIONS

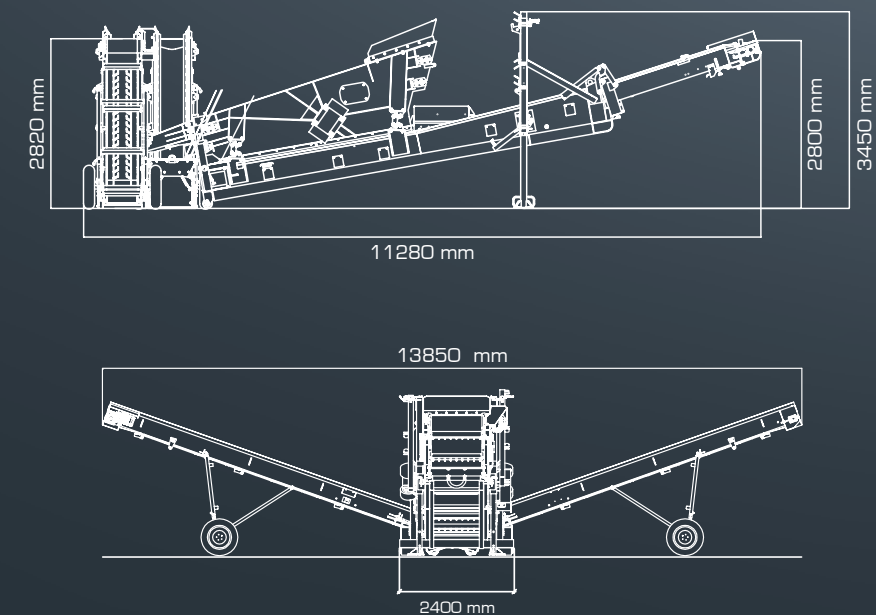
RM CS2500



RM CS3600



RM CS4800



Dimensions in mm. Specifications subject to change in line with technical developments. The machine complies with Guideline 2006/42/EC of the European Parliament.

HIGHLIGHTS: RM MTS SERIES

STACKERS – TRACKED STOCKPILING CONVEYORS
MORE VERSATILITY

The tracked mobile stackers are easy to set up conveyors with low operational costs. Using these conveyors reduces on-site material handling which means increasing profit margins.



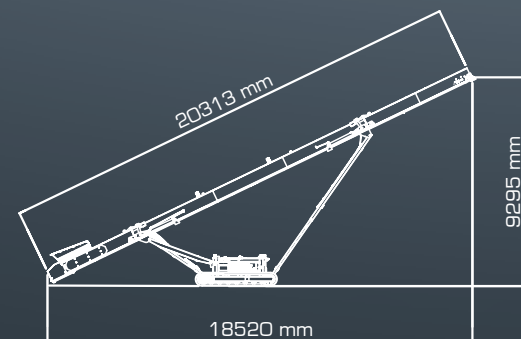
GO! DATA

STACKER SERIES
TRACKED STOCK PILING CONVEYORS

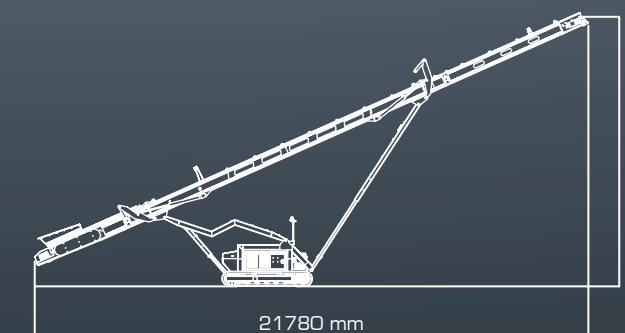
	RM MTS2010M	RM MTS2412M
Engine	CAT C2.2 Tier 3a Deutz 2.9 L4 Stage 3b / T4F	Deutz TD2011 3a Deutz 2.9 L4 Stage 3b / T4F
Engine power	42 kW	49 kW
Diesel tank capacity	185 l	195 l
Feed hopper, volume	1.3 m ³	1.4 m ³
Transport dimensions (LxWxH)	11,960 x 2,245 x 2,560 mm	11,900 x 2,585 x 2,640 mm
Conveyor belt width	1,000 mm	1,200 mm
Conveyor belt length	20 m	24 m
Conveyor belt discharge height	9,295 mm Max	10,050 mm Max
Weight	13,000 kg	15,020 kg

WORKING DIMENSIONS

RM MTS2010M



RM MTS2412M



RUBBLE MASTER

WELCOME! TO OUR WORLD

RM LIFETIME SUPPORT

RUBBLE MASTER is the competent partner at your side. Fast communication and clear organisational structures help to shorten response times to ensure quick action when needed. We offer you more than innovative machines that are lasting in value – we offer you RM Lifetime Support.

WIDE RANGE OF APPLICATIONS

Thanks to the versatile usability e.g. in crushed asphalt, in gravel and sand and in C&D waste material, the RM MSC series opens up a wide field of applications to screen your natural or crushed material to customer requirements and to achieve better margins.

QUARRY



Natural stone mixture



HS and MSC series



Screened natural stone fractions

SOIL/TOPSOIL



Soil/topsoil mixture



HS series



Screened soil/topsoil fractions

ASPHALT



Waste asphalt



HS and MSC series



Screened asphalt fractions

SYSTEMATIC TRAINING (RM ACADEMY)

We support you with structured training programmes which meet your requirements and turn operators into specialists.

CONTINUOUS ON-SITE SUPPORT

We offer you permanent on-site support through our partners so you can work with maximum efficiency and productivity at all times.

SUPPORT WITH SITE ORGANISATION

Based on our many years of experience we work together with you to optimise the design and settings of the machine and site logistics which ensures you save costs.

SPARE PARTS SERVICE

The fast supply of high-quality original RM spares and wear parts reflects our commitment to service. Plus it optimises the availability of your machines at the same time.

RM SERVICE CENTRE

Our RM SERVICE CENTRE in Linz offers you even greater service expertise and the unrivalled quality of manufacturer service.

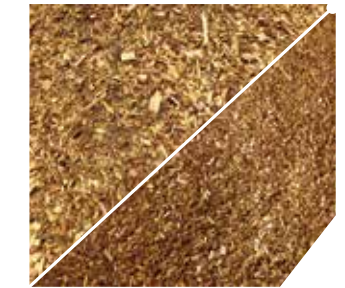
WOODCHIPS



Woodchip mixtures



HS series



Screened woodchip fractions

C&D WASTE MATERIAL



C&D waste material



HS and MSC series



Screened C&D waste fractions

GLASS



Broken glass waste



MSC series



Screened broken glass fractions

Welcome! to our world



RUBBLEMASTER.COM

RUBBLE MASTER HMH GmbH
Im Südpark 196, AT 4030 Linz, AUSTRIA
Tel: +43 732 - 73 71 17 - 0
Fax: +43 732 - 73 71 17 - 101
E-Mail: sales@rubblemaster.com
WEB: RUBBLEMASTER.COM

